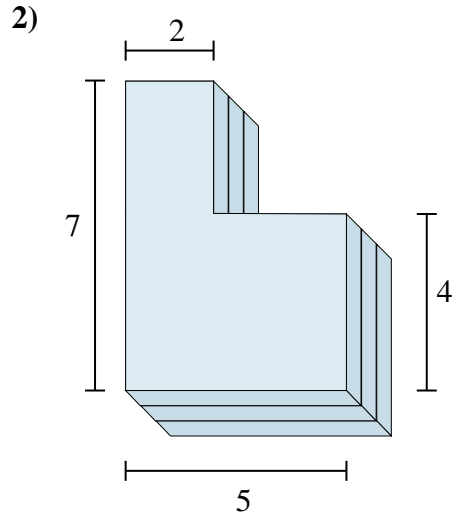
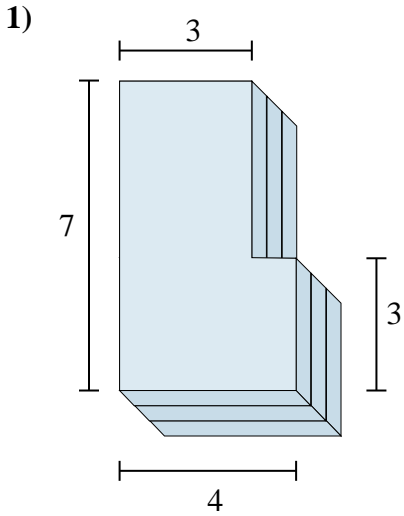




Find the total volume of each figure shown. Measured in cm (not to scale).

Answers



1. _____

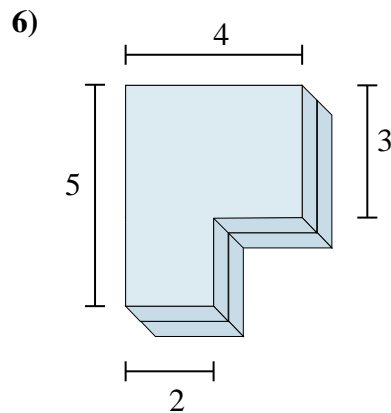
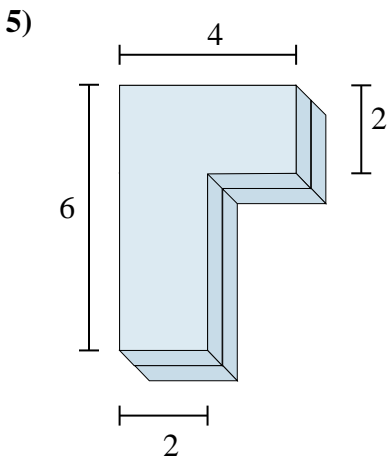
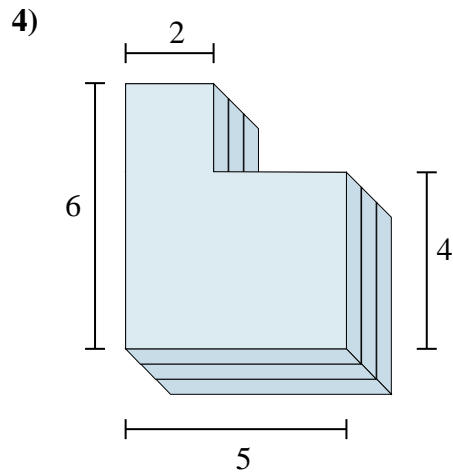
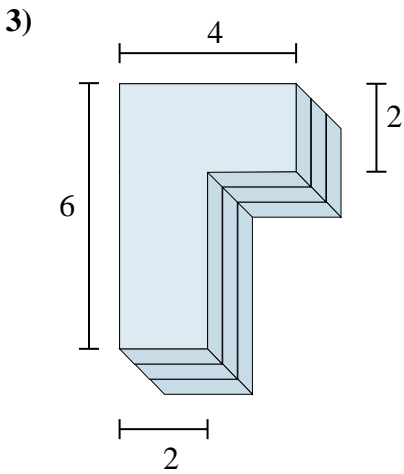
2. _____

3. _____

4. _____

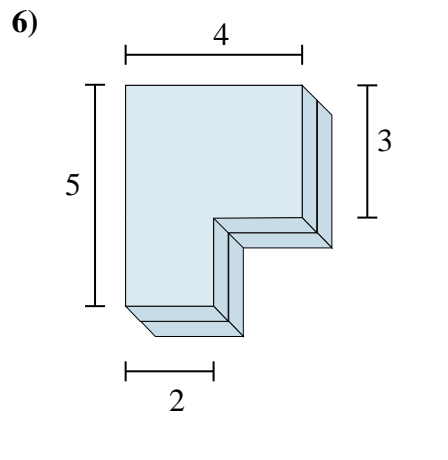
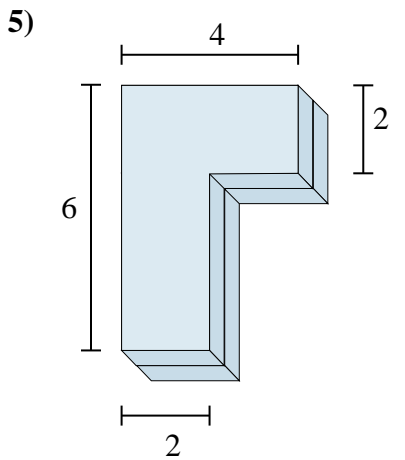
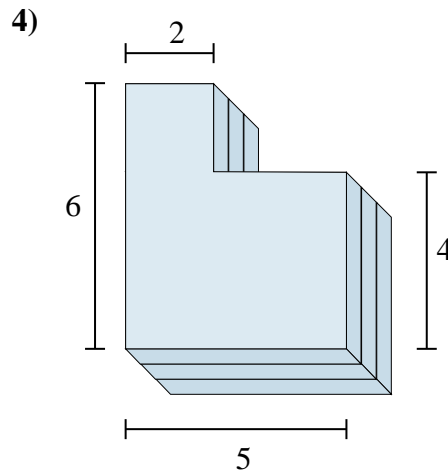
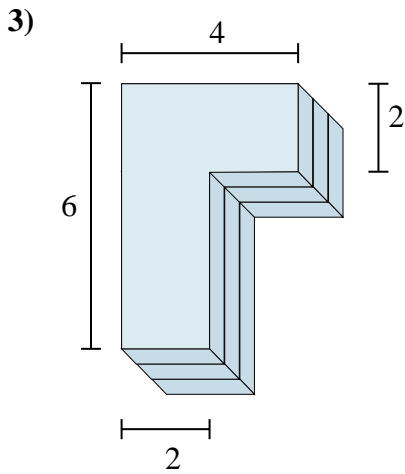
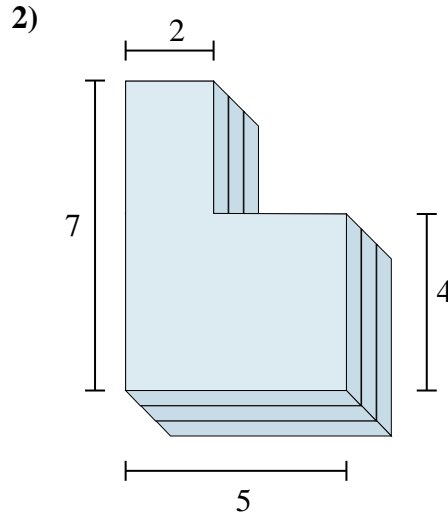
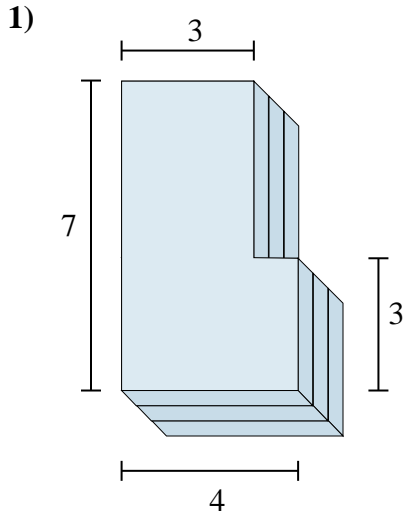
5. _____

6. _____





Find the total volume of each figure shown. Measured in cm (not to scale).



Answers

1. **72 cm³**

2. **78 cm³**

3. **48 cm³**

4. **72 cm³**

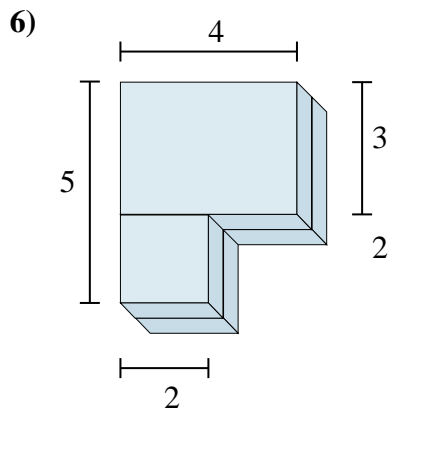
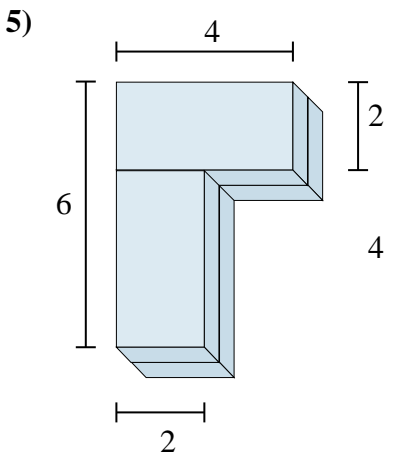
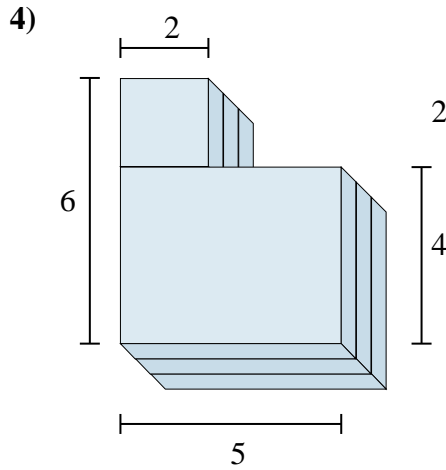
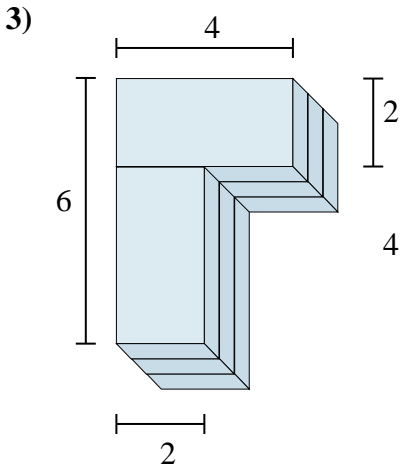
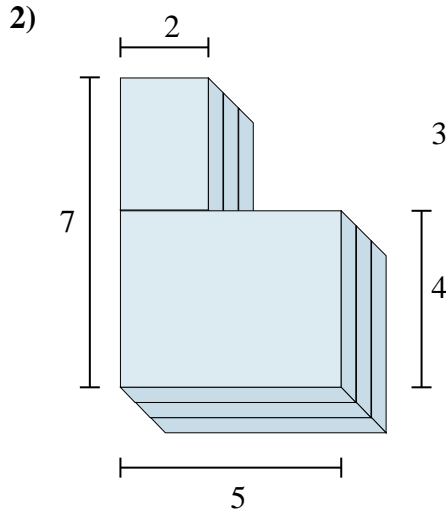
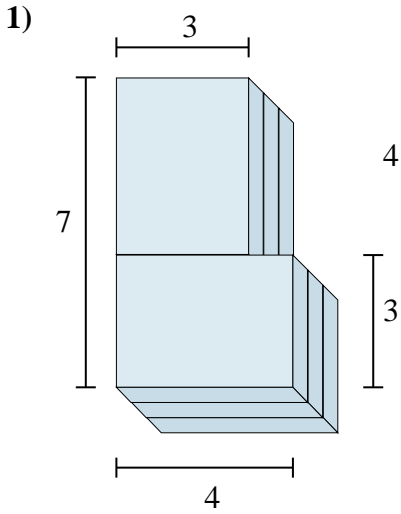
5. **32 cm³**

6. **32 cm³**



Find the total volume of each figure shown. Measured in cm (not to scale).

Answers



1. _____
2. _____
3. _____
4. _____
5. _____
6. _____